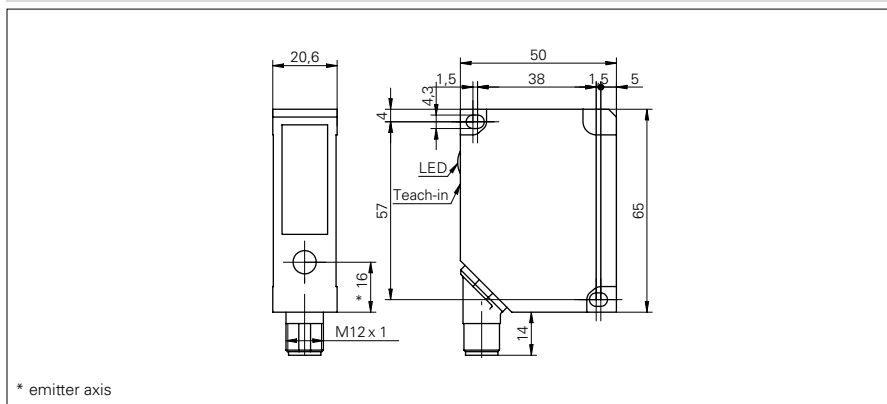


Distance sensors

OADM 20 (Laser, variable sensing range)

sample drawing



general data

sensing element	photoelectric array
adjustment means	teach-in: button / external
power on indication	LED green
soiled lens indicator	LED red / LED red blinking
light source	pulsed red laser diode
wave length	675 nm
laser class	2
<b>measuring range Sr = 30 ... 70 mm</b>	
distance between teach in boundaries	> 2 mm
resolution	0,004 ... 0,02 mm
linearity error	12 ... 60 µm
<b>measuring range Sr = 30 ... 130 mm</b>	
distance between teach in boundaries	> 3 mm
resolution	0,005 ... 0,06 mm
linearity error	15 ... 200 µm
<b>measuring range Sr = 50 ... 300 mm</b>	
distance between teach in boundaries	> 5 mm
resolution	0,01 ... 0,33 mm
linearity error	30 ... 1000 µm
<b>measuring range Sr = 100 ... 600 mm</b>	
distance between teach in boundaries	> 10 mm
resolution	0,015 ... 0,67 mm
linearity error	50 ... 2000 µm
<b>measuring range Sr = 200 ... 1000 mm</b>	
distance between teach in boundaries	> 20 mm
resolution	0,12 ... 3 mm
linearity error	480 ... 12000 µm

sample picture



## Distance sensors

## OADM 20 (Laser, variable sensing range)

**electrical data**

response time / release time	< 0,9 ms
voltage supply range +Vs	12 ... 28 VDC
current consumption max.	120 mA
output circuit	analog
output signal	4 ... 20 mA / 0 ... 10 VDC
output current	< 100 mA
alarm output	PNP
short circuit protection	yes
reverse polarity protection	yes, Vs to GND

**mechanical data**

width / diameter	20,6 mm
height / length	65 mm
depth	50 mm
type	rectangular
housing material	die-cast zinc
connection types	connector M12

**ambient conditions**

operating temperature	0 ... +50 °C
protection class	IP 67

types available	measuring range Sr	beam type	beam width	beam height	beam diameter
OADM 20I6441/S14F	30 ... 70 mm	point	-	-	1 ... 0,2 mm
OADM 20I6460/S14F	30 ... 130 mm	point	-	-	2 ... 1 mm
OADM 20I6472/S14F	50 ... 300 mm	point	-	-	2 mm
OADM 20I6480/S14F	100 ... 600 mm	point	-	-	2 mm
OADM 20I6481/S14F	200 ... 1000 mm	point	-	-	2 mm
OADM 20I6541/S14F	30 ... 70 mm	line	1 ... 0,2 mm	2 mm	-
OADM 20I6560/S14F	30 ... 130 mm	line	2 ... 1 mm	3 ... 5 mm	-
OADM 20I6572/S14F	50 ... 300 mm	line	2,5 mm	4 ... 12 mm	-
OADM 20I6580/S14F	100 ... 600 mm	line	2,5 mm	5,5 ... 21 mm	-
OADM 20I6581/S14F	200 ... 1000 mm	line	2,5 mm	8,5 ... 35 mm	-